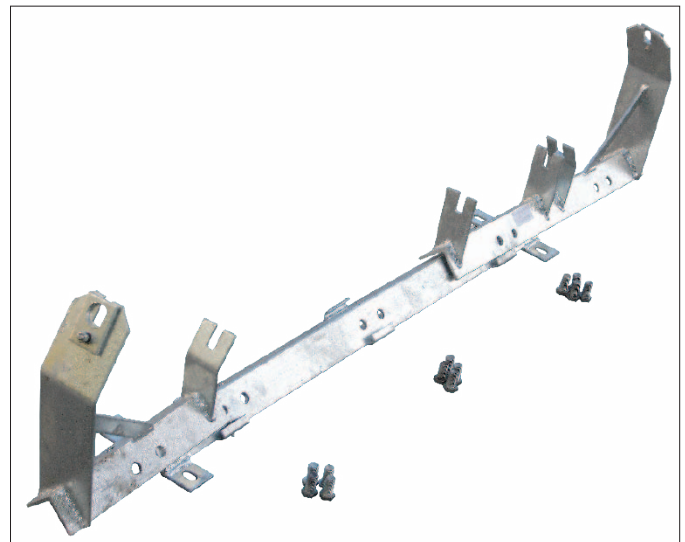
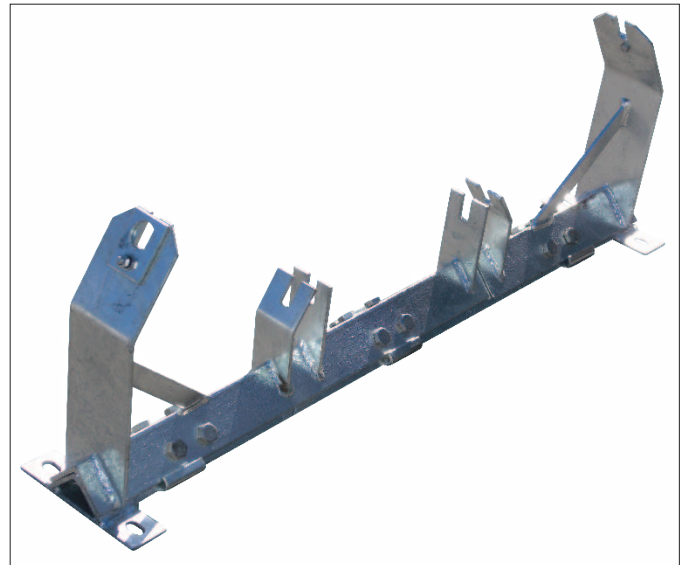
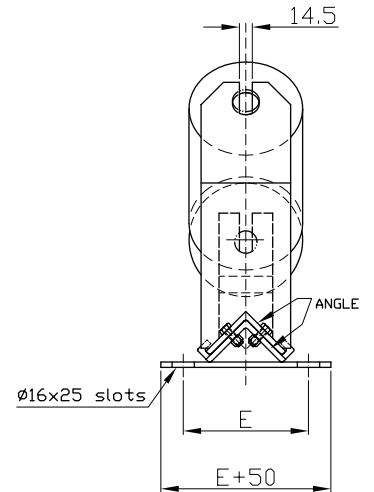
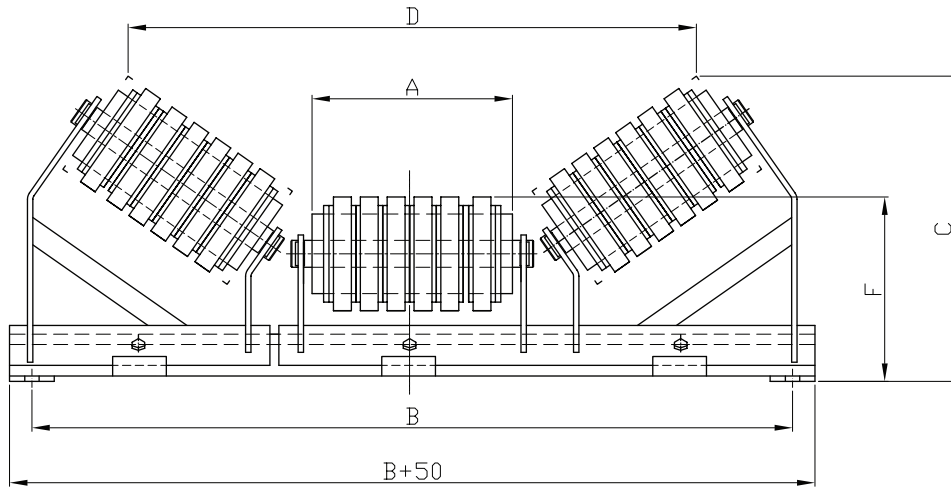


## K-Retractable Impact Idler Frames

K-Retractable Impact Idler Frames allow conveyor rollers to be changed under conveyor transfer loading chutes without the idler frames being laid down or removed. The bottom bracket remains aligned whilst the upper bracket of the base is retracted exiting from the side. The range covers all belt widths and trough angles , in-line or offset configurations.



# K-Retractable Impact Idler Frames



BELT WIDTH	A	B	IDLER DIMENSIONS mm								E	F	ANGLE SIZE
			20°		30°		35°		45°				
			C	D	C	D	C	D	C	D			
600	224	850	288	709	325	663	341	635	371	573	140	206	50
650	244	900	295	767	335	718	352	688	385	621	140	206	50
750	278	1000	307	865	352	811	372	778	409	703	140	206	50
800	294	1050	323	911	371	854	392	820	431	742	150	217	65
900	331	1150	336	1017	389	955	413	918	458	831	150	217	65
1000	358	1250	351	1095	409	1029	435	989	483	896	165	223	75
1050	383	1300	359	1167	421	1097	449	1055	500	957	165	223	75
1200	436	1450	378	1320	448	1242	480	1195	538	1084	165	223	75
1350	488	1650	406	1469	485	1384	520	1332	586	1210	180	234	90
1400	494	1700	408	1487	488	1401	524	1348	590	1225	180	234	90
1500	541	1800	433	1622	519	1529	559	1472	631	1338	200	242	100
1600	561	2000	439	1679	529	1584	570	1525	645	1386	200	242	100
1800	625	2200	479	1864	578	1759	625	1693	708	1541	240	260	125

Specifications subject to change without notice.  
Certified drawings are available on request.

