

BELT DETAILS:

1. BELT WIDTH (mm)
2. BELT SPECIFICATION:
3. BELT SPEED (m/sec.)
4. BELT CAPACITY (T.P.H):
5. CONDITION OF CONVEYOR BELT:

MATERIAL DETAILS:

1. MATERIAL CONVEYED:
2. BULK DENSITY OF MATERIAL (kg/m³):
3. MAX. LUMP SIZE (mm)
4. % OF FINES:
5. DRY/WET

ROLLER FACE A =	
MHC B =	
HEIGHT C =	
DISTANCE D =	
ROLLER DIAMETER E =	
ROLLER HEIGHT F =	
ANGLE G =	
STRINGER SPAN H =	
O/ALL LENGTH L =	

WORK CONDITIONS:

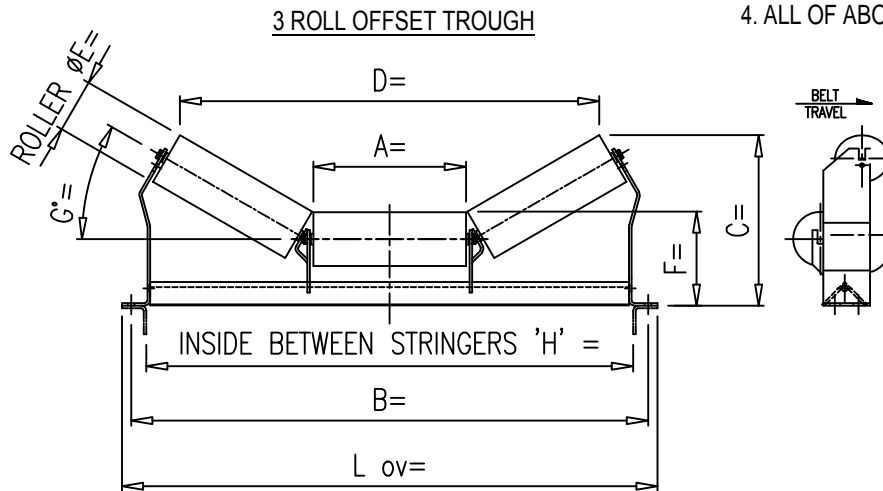
1. ANTICIPATED START / STOPS (per 24 hr's)
2. WILL BELT BE STOPPED / STARTED UNDER LOAD
3. DOES BELT REVERSE:
4. OPERATING TEMP (deg. C):

LOAD POINT:

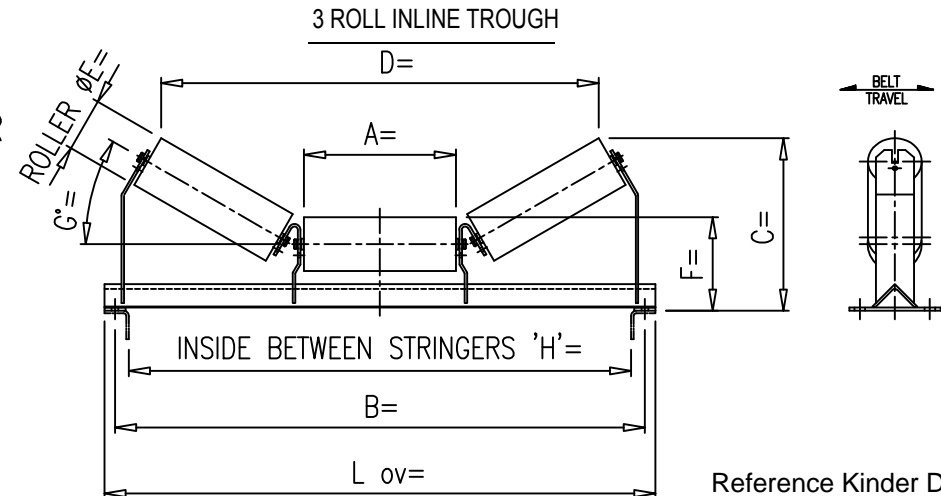
1. DROP HEIGHT (mm):
2. LENGTH OF BED REQUIRED (mm):
3. OTHER DESCRIPTION OF LOAD POINT:

CURRENT ISSUES:

1. IMPACT / IDLERS DAMAGE:
2. SPILLAGE
3. BELT DAMAGE
4. ALL OF ABOVE



OR



Reference Kinder Drawing: 1241

Issue Date: 05/09/2017

K-Impact Belt Support; Rev. 0;

K-Impact Belt Support System Worksheet

Page 1 of 2



www.kinder.com.au

Kinder Australia Pty Ltd

P | +61 3 8587 9111 F | +61 3 8587 9101 E | sales@kinder.com.au

26 Canterbury Rd, Braeside VIC 3195 (PO Box 1026, Braeside VIC 3195)

abn 28 006 489 238



Name: _____

Company: _____

Site/Operation Location: _____

Contact Number: _____

Email: _____

Date: _____

Entered or Approved
by Kinder Employee: _____

Kinder Document ID: _____

Reference Kinder Drawing: 1241

Issue Date: 05/09/2017

K-Impact Belt Support; Rev. 0;

K-Impact Belt Support System Worksheet

Page 2 of 2



abn 28 006 489 238

www.kinder.com.au

Kinder Australia Pty Ltd

P | +61 3 8587 9111 F | +61 3 8587 9101 E | sales@kinder.com.au

26 Canterbury Rd, Braeside VIC 3195 (PO Box 1026, Braeside VIC 3195)

