

K-Fold-N-Seal Skirting System | Incorporating K-Superskirt® Engineered Polyurethane

Primary & Secondary Dust Control Seal

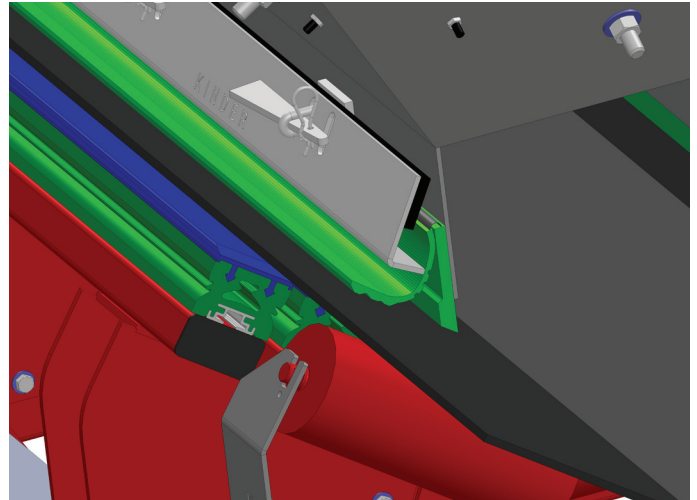
K-Fold-N-Seal is a performance polyurethane multipurpose conveyor skirting solution for all belt conveyor applications. It will outlast rubber and protect your belt's surface.

K-Fold-N-Seal's multipurpose configuration contains material and dust at the same time. Made from high performance low friction polyurethane, it has 60% less friction than rubber and is field proven to outlast rubber by 8 to 10 times. Polyurethane is non porous and will not collect fines which can cause belt damage.

The system will retro-fit onto most existing skirting clamps without further modification.

The primary seal is 19mm thick and is used to contain the conveyed material with the flexible secondary seal used to contain the dust.

- Suitable for all belt widths and trough angles.
- Field tested with 8 to 10 times the wear life over quality rubber.
- 60% less coefficient of friction than rubber.
- More energy efficient than rubber.
- Retro-fits to existing clamping systems.



Kinder Part Number	Application
KARGSKIRTFNS	General, for belt speeds up to 3 M/Sec
KARGSKIRTFNS-FR	Flame Retardant
KARGSKIRTFNS-FRAS	Fire Resistant & Anti Static, (83 Duro A) Complies with Australia's Department of Primary Industries MDG 3006 MRT8 3.2a,b,c



K-Fold-N-Seal Skirting System | Incorporating K-Superskirt® Engineered Polyurethane

