

## K-Snap-Loc<sup>®</sup> Dust Deal System | Incorporating K-Superskirt<sup>®</sup> Engineered Polyurethane

K-Snap-Loc<sup>®</sup> Dust Seal System is a practical and cost effective solution to dust control for all conveyor belt speed applications.

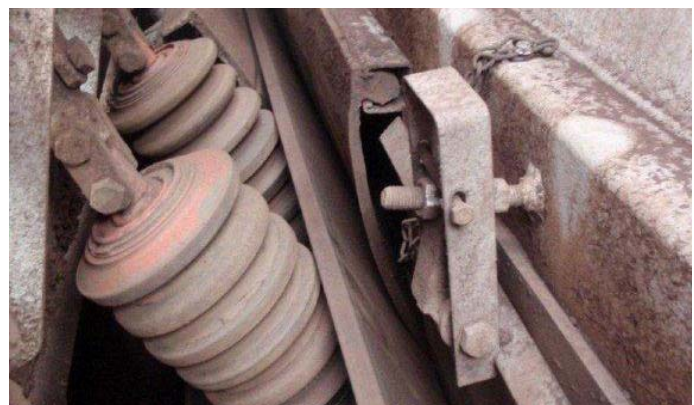
It's unique design installs into most conveyor systems. The Uni-Strut mounting can be welded to your existing system. The seal then snaps into place.

K-Snap-Loc<sup>®</sup> Dust Seal System is made from high performance engineered polyurethane which can withstand high abrasive and high temperature applications. There is a variety of formulas to suit high speed and hot applications.

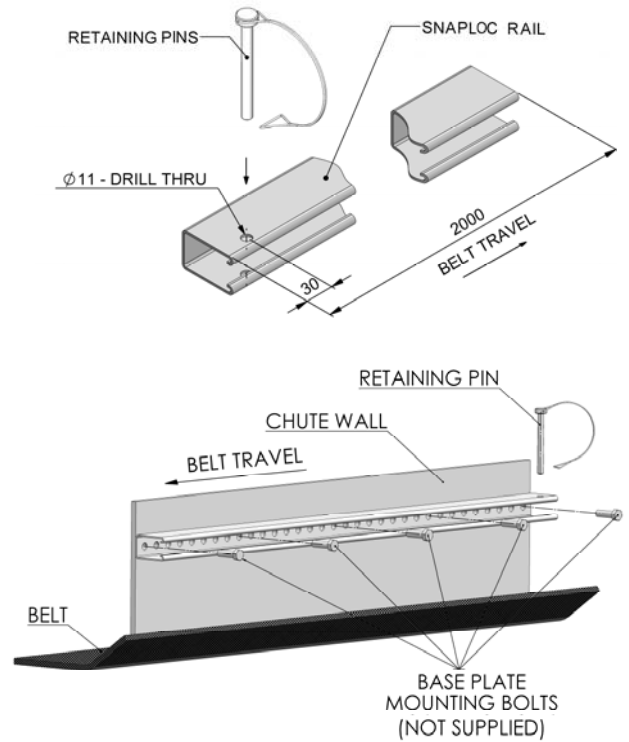
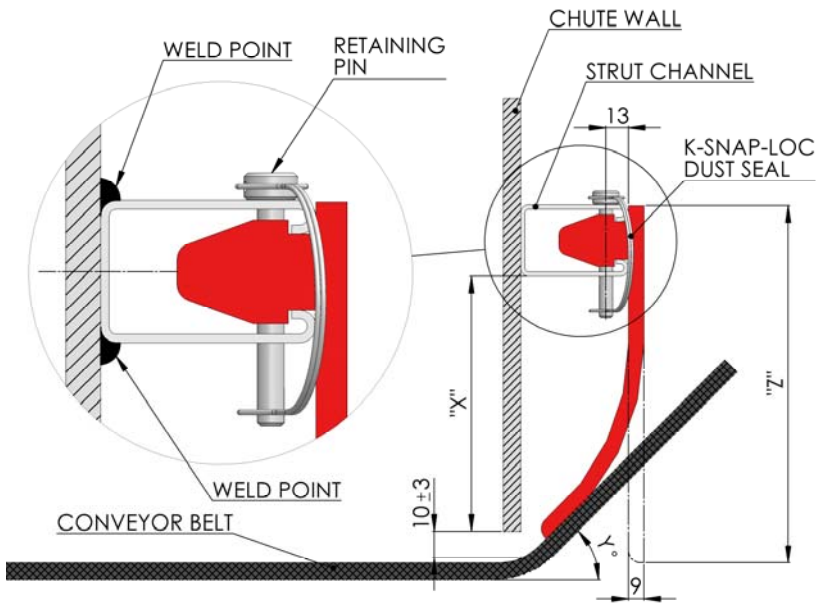
The polyurethane's inherent "memory-set" is used to apply downward pressure onto the belt's surface to create a fine tight seal, so there is no need for manual adjustment.

Because of the low coefficient of friction there is a power saving by producing 60% less drag on the conveyor belt than traditional skirting rubber.

- Suitable for all belt widths and trough angles.
- Field tested with 8 to 10 times the wear life better than rubber.
- 60% less coefficient of friction than rubber.
- More energy efficient than rubber.
- Available in fire retardant, fire resistant and anti-static formulas (consult our sales team for details).



K-Snap-Loc® Dust Deal System | Incorporating K-Superskirt® Engineered Polyurethane



PART NUMBER	UNI STRUT TYPE	"X" DIMENSIONS IN MILLIMETERS		
		BELT ANGLE "Y" = 20°	BELT ANGLE "Y" = 35°	BELT ANGLE "Y" = 45°
K-SKI-KARGSNAPLOC127x15	"Z" = 127 (5 ") Single wide	X = 68	X = 75	X = 79
K-SKI-KARGSNAPLOC150x15	"Z" = 150 (6 ") Single wide	X = 92	X = 95	X = 98
K-SKI-KARGSNAPLOC230x15	"Z" = 230 (9 ") Single wide	X = 157	X = 159	X = 164
K-SKI-KARGSNAPLOC355x15	"Z" = 355 (14 ") Single wide	X = 294	X = 297	X = 302

