

Conveyor Belt Skirting Clamping System Worksheet

Conveyor Number:

Skirting Length (mm) :

Belt Speed (m/s):

Existing Skirting:

Trough Angle(°):

Existing Skirting Clamping System Type?

Belt Width 'A' (mm):

Free Board 'B' (mm) :

Chute Width 'C' (mm):

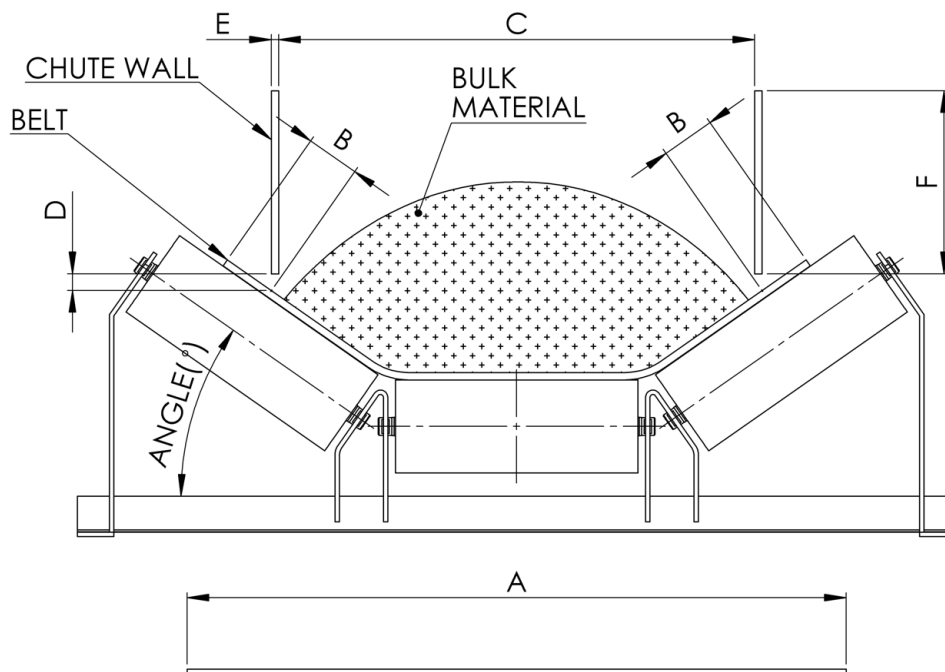
Chute to Belt Gap 'D' (mm) :

Corrosive Environment? Yes No

Chute Wall Thickness 'E' (mm) :

Current Problems:

Available Chute Height
for Skirting Clamps 'F' (mm) :



K-WS-Conveyor Belt Skirting Clamps; Rev. 0;

Issue Date: 13/09/2013

Page 1



www.kinder.com.au

Kinder Australia Pty Ltd

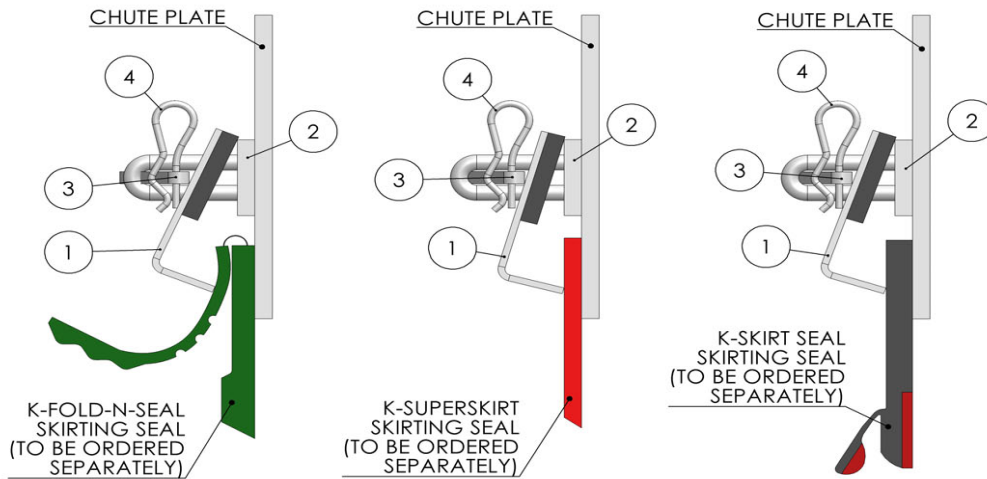
P | +61 3 8587 9111 F | +61 3 8587 9101 E | sales@kinder.com.au

26 Canterbury Rd, Braeside VIC 3195 (PO Box 1026, Braeside VIC 3195)

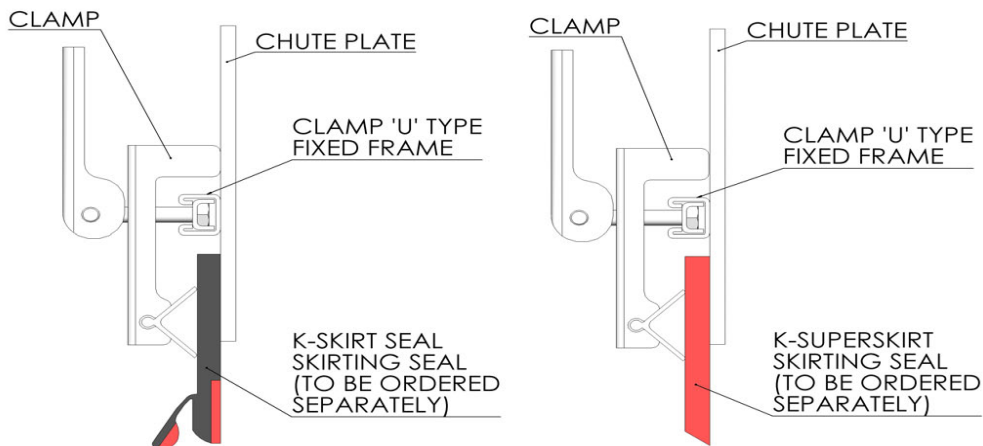


Conveyor Belt Skirting Clamping System Worksheet

KINDER CONVEYOR BELT SKIRTING CLAMPING SYSTEMS



K-Lock Wedge Clamps



K- Quick Clamps

K-WS-Conveyor Belt Skirting Clamps; Rev. 0;

Issue Date: 13/09/2013

Page 2



www.kinder.com.au

Kinder Australia Pty Ltd

P | +61 3 8587 9111 F | +61 3 8587 9101 E | sales@kinder.com.au

26 Canterbury Rd, Braeside VIC 3195 (PO Box 1026, Braeside VIC 3195)



Conveyor Belt Skirting Clamping System Worksheet

Name: _____

Company: _____

Site/Operation Location: _____

Contact Number: _____

Email: _____

Date: _____

Entered or Approved
by Kinder Employee: _____

Kinder Document ID: _____

K-WS-Conveyor Belt Skirting Clamps; Rev. 0;

Issue Date: 13/09/2013

Page 3



abn 28 006 489 238

www.kinder.com.au

Kinder Australia Pty Ltd

P | +61 3 8587 9111 F | +61 3 8587 9101 E | sales@kinder.com.au

26 Canterbury Rd, Braeside VIC 3195 (PO Box 1026, Braeside VIC 3195)

