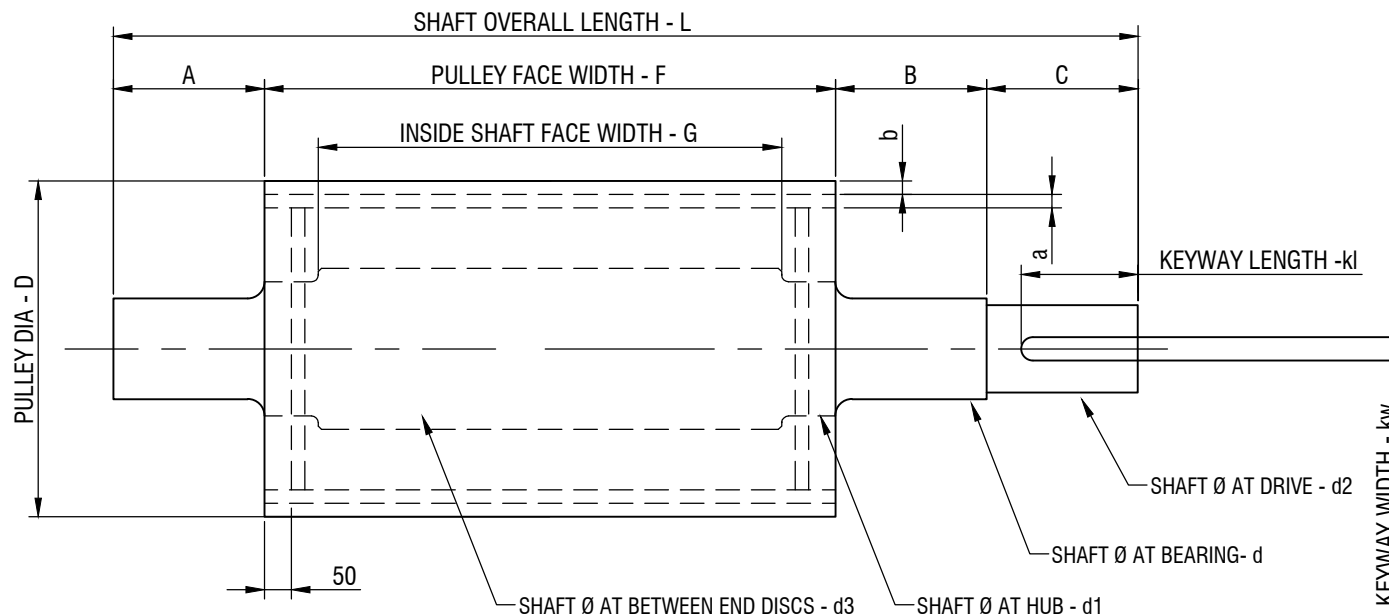


# K-Conveyor Drive Pulley Worksheet

Kinder Reference Drawing: 1072



NOMINATE ANY SPECIAL SHAFT OR PULLEY REQUIREMENTS UPON ORDERING

ALL DIMENSIONS - mm

PULLEY :		SHAFT:	KEYWAY:	SHAFT ATTACHMENT:	LAGGING	YES	NO
OVERALL DIAMETER -D		DIA AT BEARING-d		WELDED TO PULLEY	<u>PULLEY WITH LAGGING:</u>		
PULLEY FACE WIDTH -F		DIA AT HUB-d1	KEYWAY WIDTH kw	LOCKING ELEMENT TO PULLEY	LAGGING THICKNESS-b		
SHAFT FACE WIDTH -G		DIA AT DRIVE-d2		TAPERLOCKED TO PULLEY	DIAMOND GROOVED		
SHELL THICKNESS -a		DIA AT BETWEEN DISCS-d3	KEYWAY LENGTH kl	OTHER	PLAIN FINISH		
CROWNED:      YES      NO		SHAFT LENGTHS: OVERALL LENGTH -L			CERAMIC		
		A.                  B                  C					
SPEED - rev/min		BEARINGS      with cylindrical bore					
		CODE:-              with adapter sleeve					

Issue Date: 29/01/2013

K-WS-K-Conveyor Drive Pulley; Rev. 0;



Page 1



[www.kinder.com.au](http://www.kinder.com.au)

Kinder Australia Pty Ltd

P | +61 3 8587 9111      F | +61 3 8587 9101      E | sales@kinder.com.au  
26 Canterbury Rd, Braeside VIC 3195 (PO Box 1026, Braeside VIC 3195)



# K-Conveyor Drive Pulley Worksheet

Name: \_\_\_\_\_

Company: \_\_\_\_\_

Site/Operation Location: \_\_\_\_\_

Contact Number: \_\_\_\_\_

Email: \_\_\_\_\_

Date: \_\_\_\_\_

Entered or Approved  
by Kinder Employee: \_\_\_\_\_

Kinder Document ID: \_\_\_\_\_

*K-WS-K-Conveyor Drive Pulley; Rev. 0;*

*Issue Date: 29/01/2013*

Page 2



abn 28 006 489 238

[www.kinder.com.au](http://www.kinder.com.au)



EXPERIENCE INNOVATION PRODUCTIVITY

**Kinder Australia Pty Ltd**

P | +61 3 8587 9111    F | +61 3 8587 9101    E | sales@kinder.com.au  
26 Canterbury Rd, Braeside VIC 3195 (PO Box 1026, Braeside VIC 3195)

